



**V12**

7.6L V12 500HP

**SEAPRO™**

# SEAPRO

Powerful.  
Efficient.  
Capable.

Mercury® redefined the way horsepower meets the water by building the first-ever V12 outboard. At 500hp, it's our most powerful, most capable commercial outboard yet, with heavy-duty components designed to provide years of rugged reliability. From prop to cowl, every system has been optimized to enhance fuel efficiency and simplify maintenance so you can minimize downtime and maximize output.

INTRODUCING THE ALL-NEW 7.6L V12 500HP SEAPRO™ OUTBOARD.



# Powerhead

The outboard segment's first V12 powerhead delivers uncompromising strength and reliability for commercial operators.

Its 7.6-liter displacement and quad-cam design generate superior torque to easily power big boats on plane and move heavy loads. Because the engine works less, it runs longer, so you can accomplish more.



# 7.6L

## DISPLACEMENT (7.6L)

The V12 500hp SeaPro™ outboard boasts the highest displacement of any commercial outboard at 7.6 liters. More displacement means more torque and more horsepower, with less stress placed on the engine. That translates to a longer service life and more reliable performance.

## QUAD CAM

The performance-inspired quad-cam design is tuned to power big boats out of the hole. It allows the engine to spool up rapidly, providing a quick boost in acceleration.

## TRANSIENT SPARK TECHNOLOGY

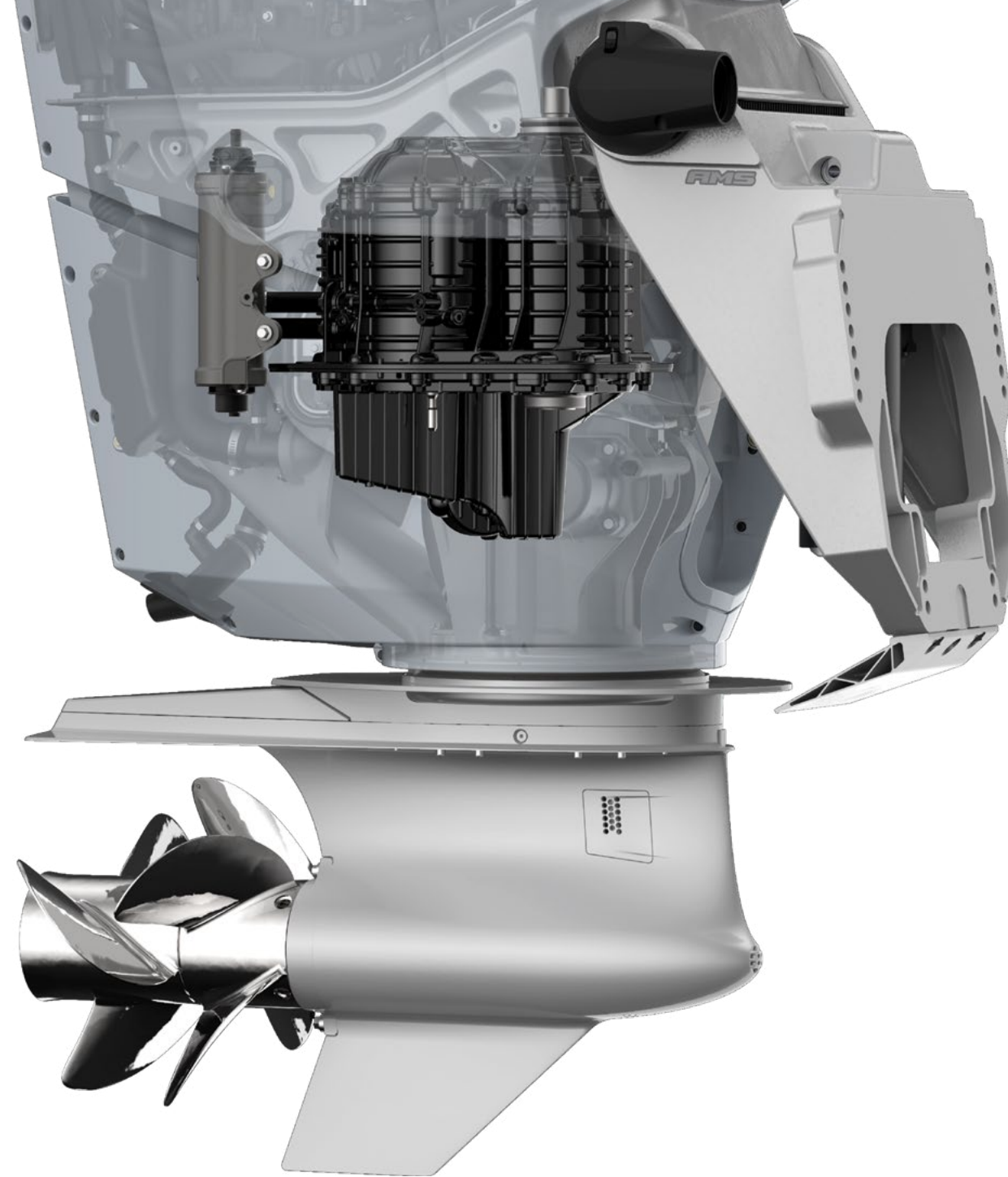
Transient Spark technology calibrates spark plug timing to optimize low-end power. The results are clear: greater torque and instant acceleration to get heavy boats on plane faster.

# Transmission

The two-speed automatic transmission makes effortless work of transferring 500hp to the gearcase.

## SHIFTING WHAT'S POSSIBLE

With maximum torque and acceleration in first gear, you can power the boat on plane quickly before the transmission silently shifts to second. No shift clunk. No limitations. Only smooth, efficient power, whether crossing open water or maneuvering in close quarters.





# Steerable Gearcase

Mercury revolutionized the way boats handle by designing the outboard segment's first steerable gearcase.

## INTEGRATED ELECTRO-HYDRAULIC STEERING

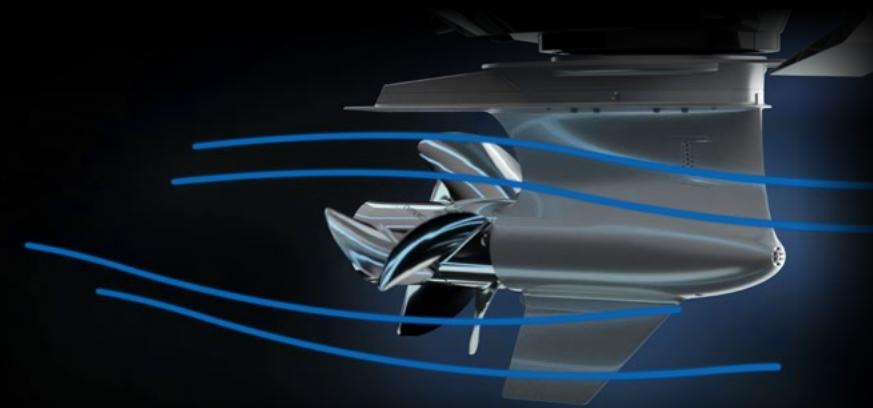
With smooth electro-hydraulic controls, the steerable gearcase immediately responds to your commands for more precise maneuverability around docks and effortless handling in open water.

## Verado12 Propellers

A new series of dual props were expertly crafted to harness the full potential of the V12 500hp SeaPro™ outboard. Designed to run in a contra-rotating configuration, the new propellers power the boat on plane swiftly and efficiently, while delivering exceptional handling at low speeds and optimal fuel economy.

## HYDRODYNAMICS

An advanced drive design results in exceptional hydrodynamics, reducing drag and enhancing stability at high speeds. The heavy-duty gearcase has been validated at three times the lifespan of a recreational gearcase, for years of reliable service.

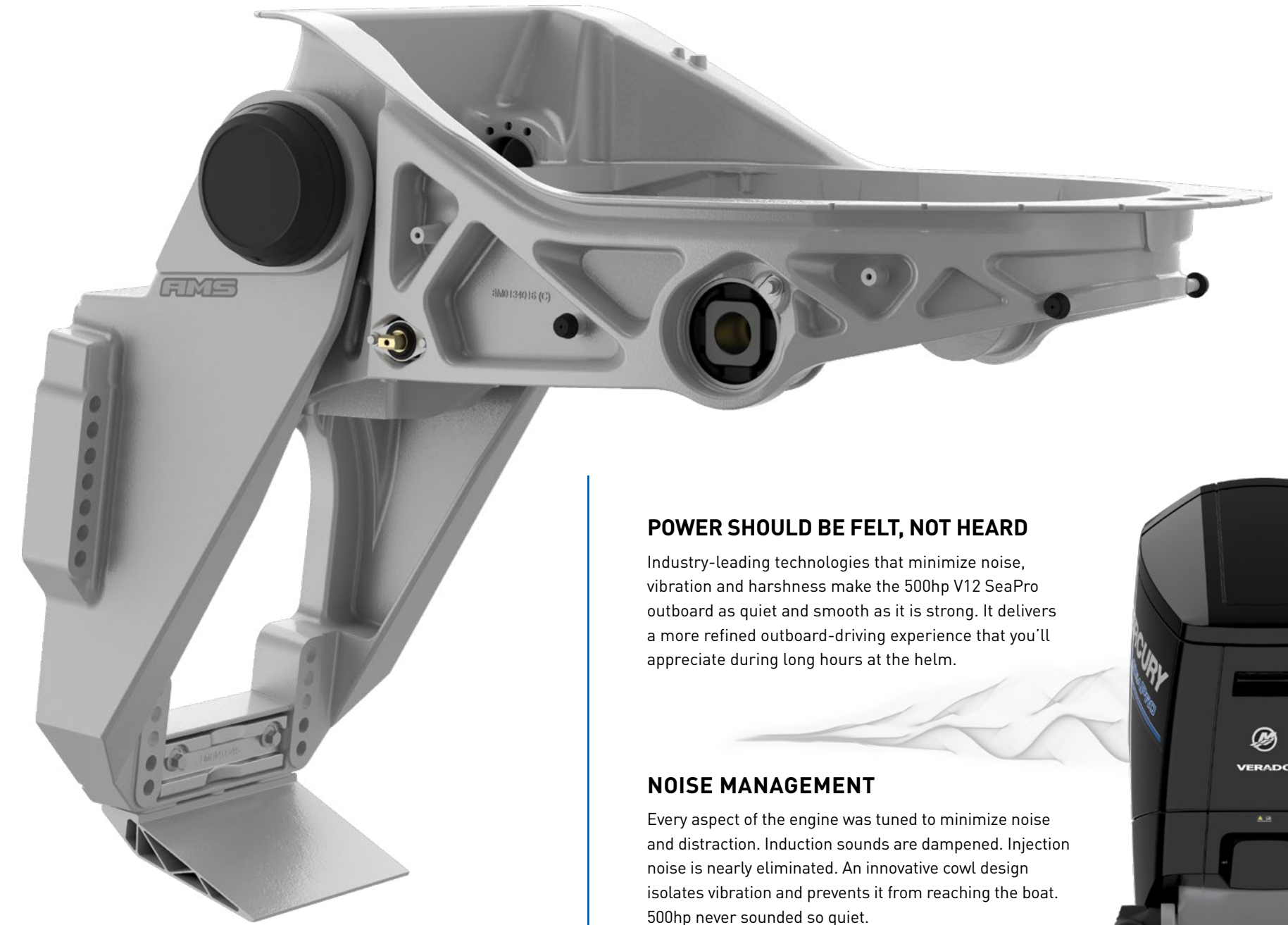


# Advanced MidSection

Mercury established an industry-leading legacy of delivering smooth, quiet power with its Advanced MidSection (AMS) mounting system.

---

The V12 SeaPro™ outboard builds on that legacy with a next-generation AMS system that's more rugged and even more refined, so you can focus on the work in front of you, without being distracted by the engine behind you.



## POWER SHOULD BE FELT, NOT HEARD

Industry-leading technologies that minimize noise, vibration and harshness make the 500hp V12 SeaPro outboard as quiet and smooth as it is strong. It delivers a more refined outboard-driving experience that you'll appreciate during long hours at the helm.

## NOISE MANAGEMENT

Every aspect of the engine was tuned to minimize noise and distraction. Induction sounds are dampened. Injection noise is nearly eliminated. An innovative cowl design isolates vibration and prevents it from reaching the boat. 500hp never sounded so quiet.



# Under the Cowl

Your time is valuable. We understand. That's why we simplified outboard maintenance so you can spend less time under the cowl and more time on the clock.

The V12 SeaPro™ outboard can run for an astonishing 200 hours between oil changes and features an innovative top cowl service hood that makes servicing critical components a snap while the boat is in the water. Less hassle with maintenance means less downtime, so you can accomplish more.

## Maintenance

Routine service can be performed anywhere on the water, eliminating the hassles of trailering large boats or hauling them out for maintenance. The cowl hood makes service faster and more convenient, while color-coded touch points inside speed up the process, minimizing maintenance expense and downtime.

### EASE OF MAINTENANCE (200 & 1000HRS)

The V12 SeaPro outboard is capable of operating for up to 200 hours between regular service, which can be performed conveniently through the cowl hood while the boat is in the water. The entire top cowl doesn't have to come off for additional maintenance until 1,000 hours.

### ALTERNATOR/IDLE CHARGE

A powerful 150-amp alternator swiftly charges onboard batteries and intelligently supports the boat's electrical system to ensure you'll always have the power that you need. Even at idle, the system is working for you by monitoring battery voltage and adjusting engine rpm as needed to boost alternator output.



## Driving Experience

Driving a V12 500hp SeaPro™ outboard defies what you'd expect from an engine this powerful.



### Next Gen DTS

Standard Next Gen Digital Throttle & Shift (DTS) controls feature an enhanced ergonomic design for comfortable driving and push-button access to advanced systems such as Active Trim incorporated directly on the control. Smooth, effortless shifting and instant throttle response combine with electro-hydraulic steering to deliver a premium driving experience.



### JPO and Skyhook Advanced

Refined control. That's what you get when docking with Joystick Piloting or "digitally anchoring" with Skyhook® Advanced Features and V12 SeaPro outboards. Because the engines remain static and steering adjustments are done by the gearcases underwater, there's no clunky movement above water and less noise. Only smooth, effortless handling.



### VesselView

VesselView® displays transform the helm of the boat into the ultimate command center by linking together the Mercury propulsion system with compatible onboard accessories. You can monitor engine data, control SmartCraft® digital technologies, view charts and sonar, and even operate VHF systems or other onboard controls and switching all from an intuitive touchscreen interface.

## Fuel System

An intelligent fuel system monitors engine performance and calibrates fuel delivery at any speed to automatically optimize efficiency.



### Fuel Type / Economy (Reduced Fuel Cost)

The V12 SeaPro outboard is calibrated to deliver full performance on 87-octane fuel, with a host of efficiency-enhancing features such as a hydrodynamic gearcase, dual props and intelligent fuel system that help you accomplish more on every tank.



### Advanced Range Optimization

Advanced Range Optimization (ARO) precisely adjusts fuel delivery for the best possible efficiency at cruise. Adjustments happen so seamlessly that you won't feel or hear them, but you'll see the results on your bottom line.



### Closed-Loop Fuel System

Oxygen sensors in the closed-loop fuel system detect potential inefficiencies and trigger precise adjustments to the fuel mixture to achieve maximum performance from every drop.

## Specifications

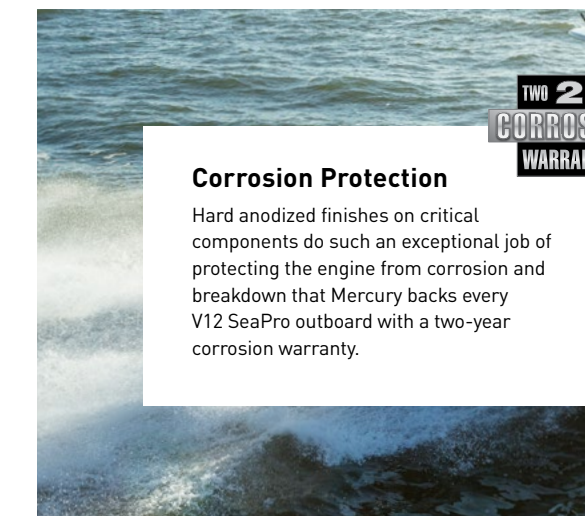
### 500hp SeaPro™

<b>Horsepower</b>	500
<b>Midsection Design</b>	Advanced MidSection (AMS)
<b>Engine Type</b>	V12
<b>Displacement</b>	461 cu in (7.6L)
<b>Bore &amp; Stroke</b>	3.8" x 3.4" (96mm x 87mm)
<b>Max RPM at Full Throttle</b>	5000-5800
<b>Idle Rpm</b>	700
<b>Induction System</b>	Performance-Tuned Intake Manifold
<b>Fuel System</b>	Electronic Fuel Injection [EFI] Computer Controlled with Advanced Range Optimization
<b>Fuel Requirements</b>	Unleaded Regular 87 Octane Minimum (R+M/2) or 90 RON 10% Ethanol Maximum
<b>Ignition System</b>	SmartCraft PCM 196 Digital Inductive
<b>Charging System</b>	150-Amp with Idle Charge
<b>Starting</b>	Electric Start with SmartStart Protection
<b>Exhaust System</b>	Through Prop
<b>Cooling System</b>	Water-Cooled with Thermostat Control
<b>Lubrication System</b>	Integrated Wet Sump
<b>Oil Recommendation</b>	25W-40
<b>Oil Requirement</b>	25W-40
<b>Oil Capacity</b>	13.3L (14 US qt)
<b>Engine Management System</b>	Electronic Sequential Port Fuel Injected
<b>Throttle and Shift Controls</b>	Next Gen Digital Throttle & Shift (DTS)
<b>Engine Protection System</b>	SmartCraft Engine Guardian
<b>Trim/Tilt System</b>	Power Trim and Tilt
<b>Troll Control RPM Limit</b>	700-1100
<b>Gearcase</b>	6.4"
<b>Propellers</b>	Contra-rotating
<b>Overall Gear Ratio (forward)</b>	2.50:1
<b>Gear Shift</b>	F2-F1-N-R
<b>Gear Lube Capacity</b>	3.8L (4.0 US qt)
<b>Transmission Shift Type</b>	2-Speed Dual Wet Clutch
<b>Transmission Fluid Capacity (with filter change)</b>	6.6L (7.0 US qt)
<b>Dry Weight (lbs./kg)</b>	1260lbs (572kg)
<b>Steering Angle</b>	+/- 45 Degrees
<b>Steering</b>	Integrated Electro-Hydraulic Power-Steering
<b>Mounting Centers</b>	27"
<b>CARB Star Rating</b>	3-Star



### Engine Guardian

You can work harder, knowing that the Mercury Engine Guardian system has your back. It monitors engine performance with more than 40 sensors to detect potential problems early. If necessary, Engine Guardian automatically adjusts engine rpm to get you back to shore safely.



**TWO 2 YEAR CORROSION WARRANTY**

### Corrosion Protection

Hard anodized finishes on critical components do such an exceptional job of protecting the engine from corrosion and breakdown that Mercury backs every V12 SeaPro outboard with a two-year corrosion warranty.

### Warranty

Your investment is safe thanks to a standard two-year limited warranty that also extends to Mercury Precision Parts® components and SmartCraft® displays and hardware.







[MercuryMarine.com/V12SeaPro](https://MercuryMarine.com/V12SeaPro)

**FEBRUARY 2021** 90-8M0180503

© 2021 Mercury Marine. All Rights Reserved. Reproduction in whole or in part without permission is prohibited.  
Circle M Logo, Go Boldly, Mercury, Mercury Marine, Mercury Precision Parts, Mercury Propellers, SeaPro, Skyhook,  
SmartCraft, Verado and VesselView are trademarks of Brunswick Corporation.

*Product information in this brochure is accurate as of February 11, 2021. For the latest content, please visit [MercuryMarine.com](https://MercuryMarine.com)*